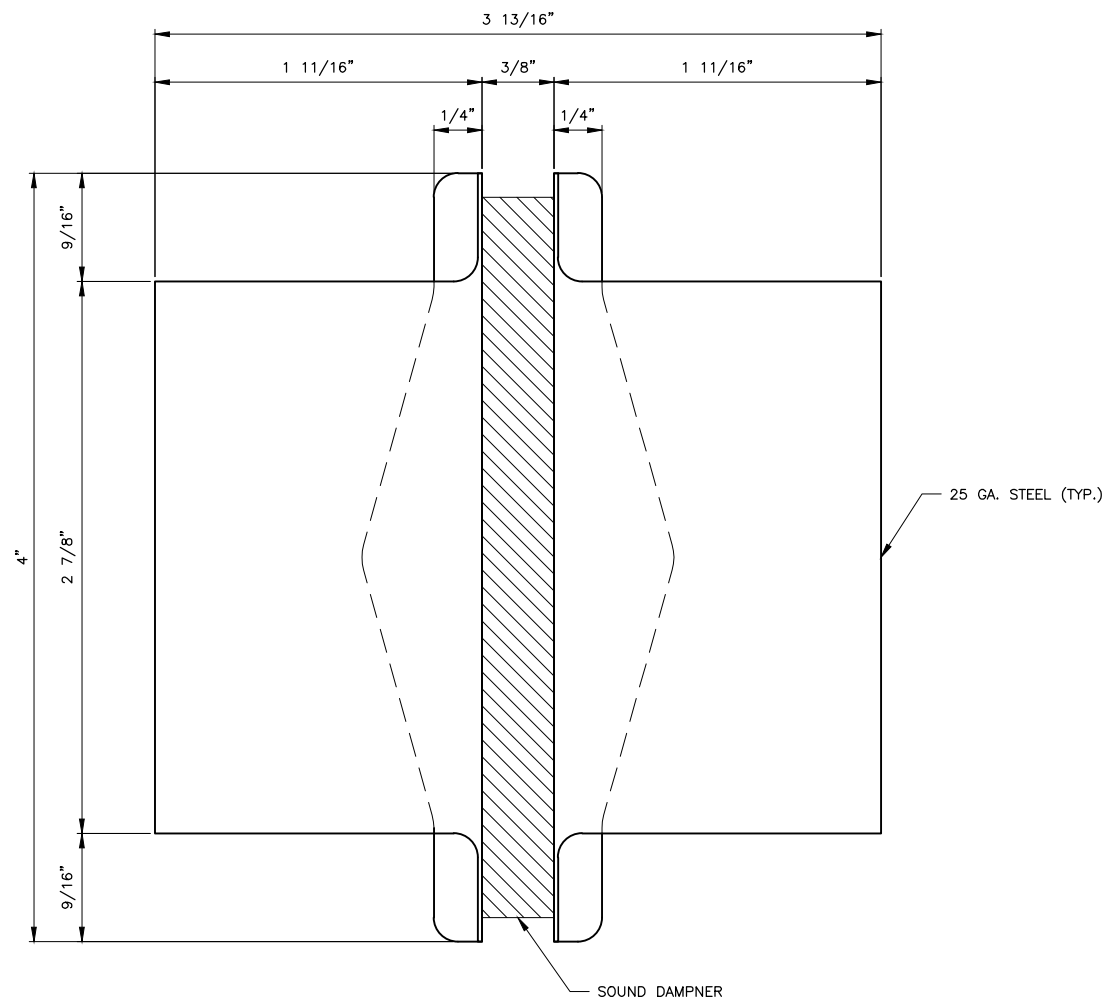
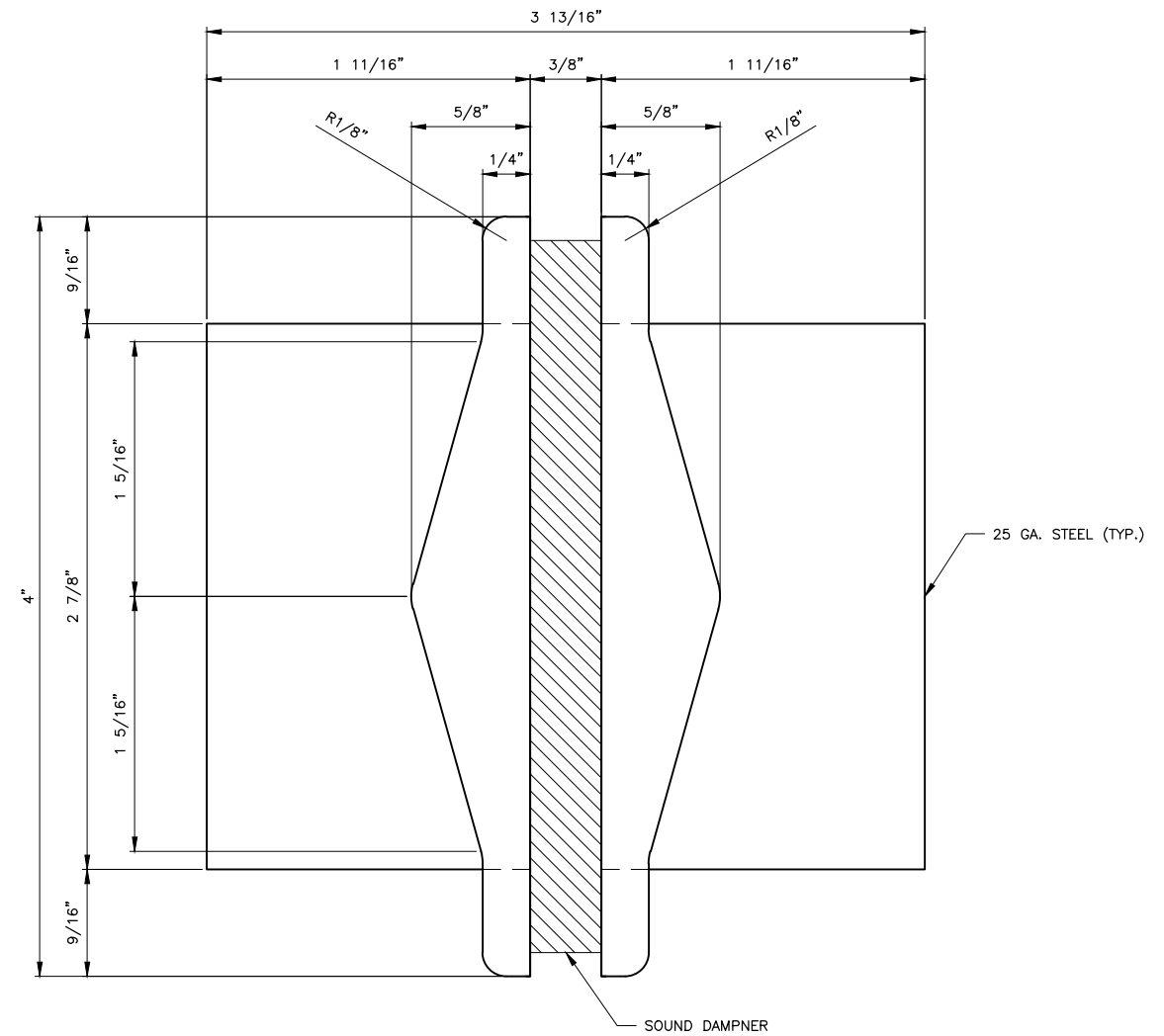


WALL SECTION - ST CLIP (A)  
SCALE: 3" = 1'-0" 1

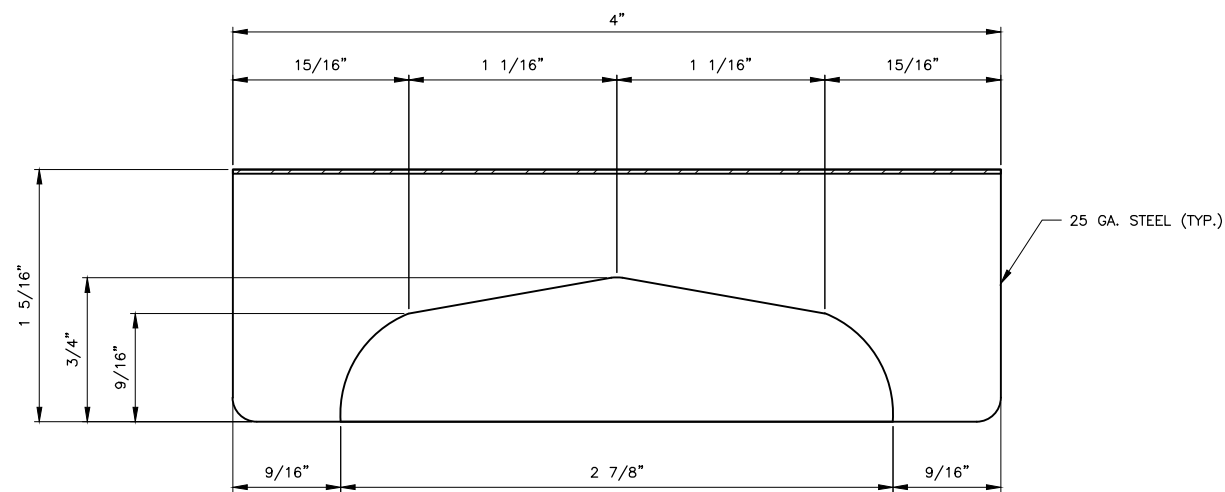
**PRO PRODUCTS MFG., LLC**  
 32015 - 128TH ST. N.W.  
 PRINCETON, MN 55371  
 (763) 552-0853 (O)  
 (763) 552-0854 (F)  
 www.eliminatortrack.com/



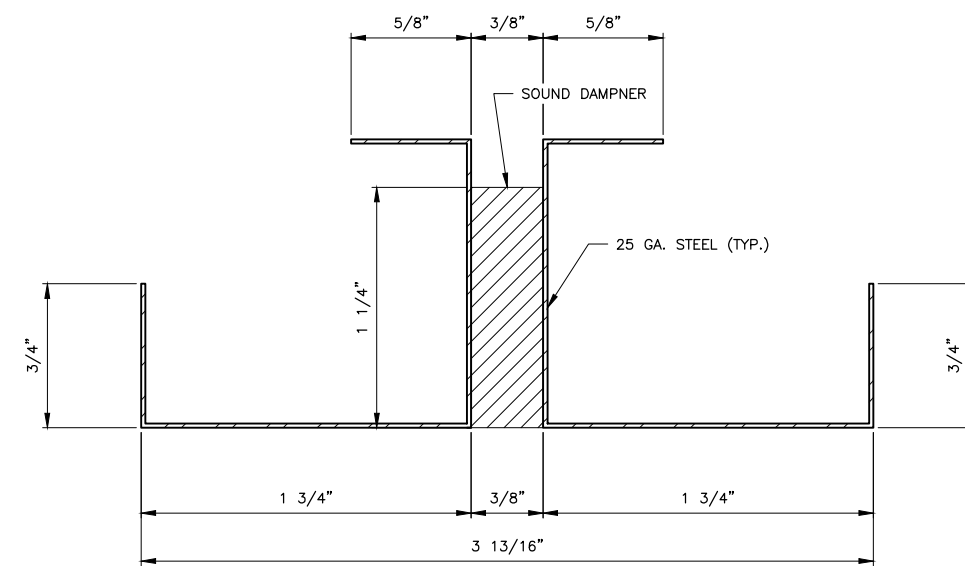
**DETAIL -- BACK** 1  
 SCALE: 1'-0" = 1'-0" 2



**DETAIL -- FRONT** 2  
 SCALE: 1'-0" = 1'-0" 2

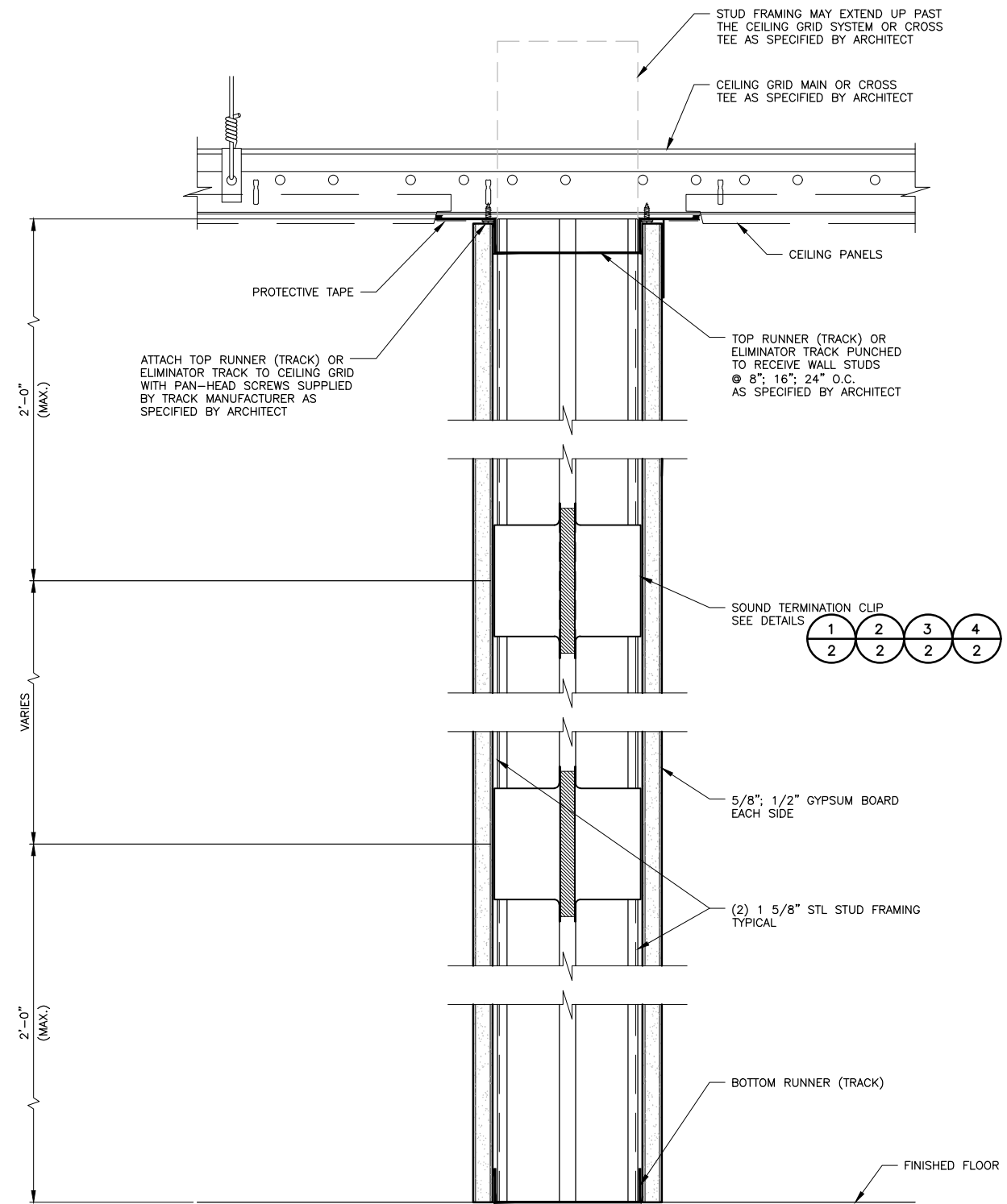


**DETAIL -- SIDE 1** 3  
 SCALE: 1'-0" = 1'-0" 2



**DETAIL -- SIDE 2** 4  
 SCALE: 1'-0" = 1'-0" 2

**PRO PRODUCTS MFG., LLC**  
 32015 - 128TH ST. N.W.  
 PRINCETON, MN 55371  
 (763) 552-0853 (O)  
 (763) 552-0854 (F)  
[www.eliminatortrack.com/](http://www.eliminatortrack.com/)



WALL SECTION — ST CLIP  
SCALE: 3" = 1'-0"

A  
1

**PRO PRODUCTS MFG., LLC**  
 32015 - 128TH ST. N.W.  
 PRINCETON, MN 55371  
 (763) 552-0853 (O)  
 (763) 552-0854 (F)  
[www.eliminatortrack.com/](http://www.eliminatortrack.com/)